

# Liberty Pumps®

## FL100-Series

1hp

## FL150-Series

1-1/2hp

## FL200-Series

2hp

### Submersible Effluent Pumps

1-1/2" or 2" Discharge

Flange Mounted

#### Features:

- 3/4" Solids-handling
- Heavy cast iron construction
- 2 vane semi-open cast iron impeller
- 416 stainless steel rotor shaft
- Dual shaft seals
- Single float, mercury free level control
- Additional mounting clamp provided for optional switch mounting to pipe
- Fully adjustable pumping range
- 2" FNPT threaded discharge with 1-1/2" FNPT flange provided
- Quick-disconnect power cord - 25' length standard
- Available in automatic and manual models



**Dual Sized  
Discharge**

1-1/2" or 2"

innovate. evolve.

# FL100, FL150 and FL200-Series

## Technical Specifications

### External Construction:

Pump Volute – Gray iron casting class 25  
 Pump Legs – Gray iron casting class 25  
 Motor Cover – Gray iron casting class 25  
 All casting shall be powder coated for corrosion resistance prior to assembly.

### Motor:

Submersible 3450 RPM, oil filled and hermetically sealed. Class B insulation rating. 416 Stainless steel rotor shaft. Thermally Protected – single phase models. Three phase models shall have heat breakers incorporated into the control panel, properly sized for the horsepower and amperage of the pump.

### Impeller:

2 vane, semi-open design. Cast iron construction.

### Dual Shaft Seals:

FL100-Series feature upper unitized carbon ceramic and lower Viton double lip.

FL150 and FL200-Series feature upper unitized silicon carbide, lower Viton double lip.

### Fasteners:

All fasteners shall be 300-series stainless steel.

### Power Cord:

25' length standard. Quick-disconnect design allows easy field replacement.

### Level Control:

The pump shall be controlled by a wide angle mechanical float sealed in a PVC housing. The float shall have a series plug for manual by-pass operation.

A water-stop seal shall be incorporated into the cord entry to eliminate potential water wicking into the switch.

An adjustable clamp is provided for optional pipe mounting of the float.

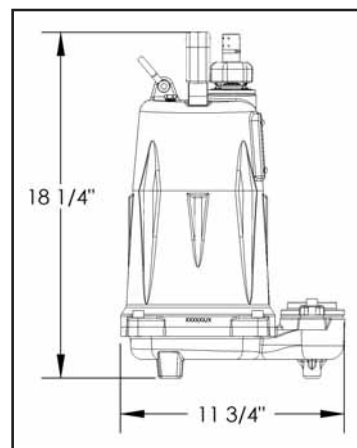
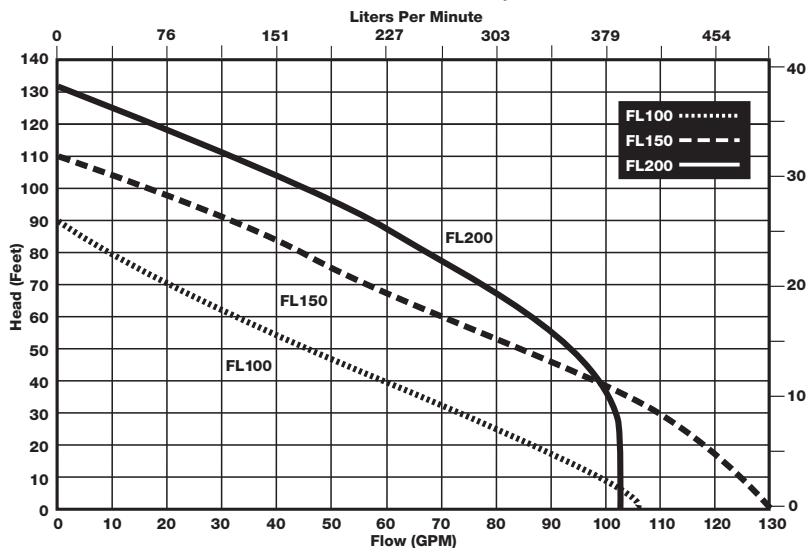
### Discharge:

2" FNPT with 1-1/2" FNPT cast iron flange provided.

Model	hp.	Volts	Phase	Amps	Discharge	Automatic	Cord Length	Wgt. Lbs.
FL102M	1	208-230	1	12	1-1/2" & 2"	No	25'	71
FL102A	1	208-230	1	12	1-1/2" & 2"	Yes	25'	72
FL103M	1	208-230	3	9	1-1/2" & 2"	No	25'	71
FL104M	1	440-480	3	4.5	1-1/2" & 2"	No	25'	71
FL105M	1	575	3	3.3	1-1/2" & 2"	No	25'	72
FL152M	1-1/2	208-230	1	15	1-1/2" & 2"	No	25'	81
FL152A	1-1/2	208-230	1	15	1-1/2" & 2"	Yes	25'	82
FL153M	1-1/2	208-230	3	10.6	1-1/2" & 2"	No	25'	81
FL154M	1-1/2	440-480	3	5.3	1-1/2" & 2"	No	25'	81
FL155M	1-1/2	575	3	4.9	1-1/2" & 2"	No	25'	81
FL202M	2	208-230	1	15	1-1/2" & 2"	No	25'	82
FL202A	2	208-230	1	15	1-1/2" & 2"	Yes	25'	83
FL203M	2	208-230	3	10.6	1-1/2" & 2"	No	25'	82
FL204M	2	440-480	3	5.3	1-1/2" & 2"	No	25'	82
FL205M	2	575	3	4.9	1-1/2" & 2"	No	25'	82

NOTE: 3-phase models require a control panel for automatic operation. See simplex and duplex panel literature for complete information.

### 60 Hz Performance Curve FL100, FL150 and FL200-Series - Maximum Fluid Temperature 140° F



Certified

Specifications subject to change without notice.