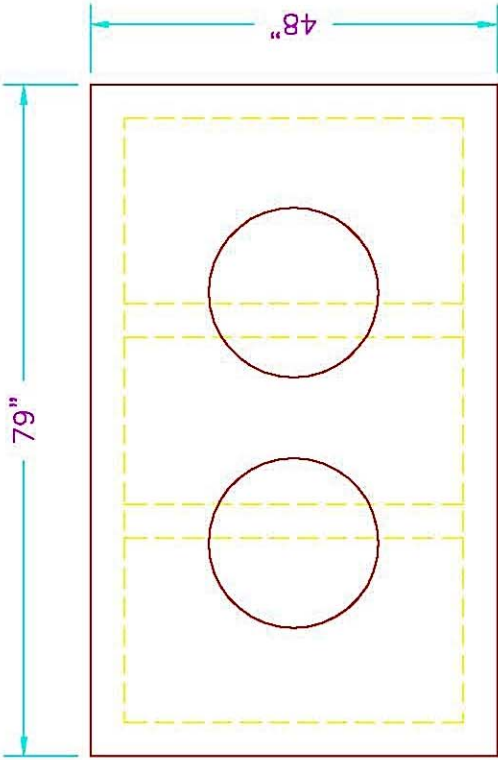


PRE-CAST CONCRETE
WATER, STORM WATER,
WASTE WATER, AND
SEPTIC PRODUCTS AND
ACCESSORIES

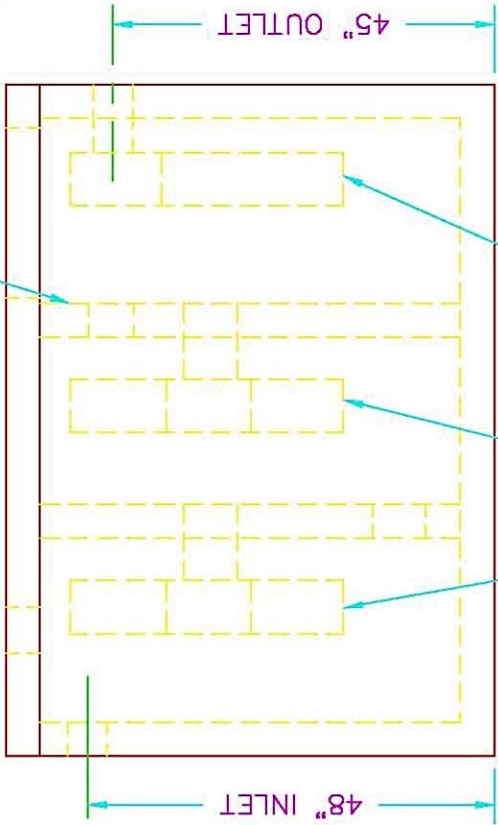
CAMDEN SUPPLY COMPANY
2059 HENDERSON AVENUE
WASHINGTON, PA 15301
(724) 229-8441
www.CamdenSupply.com

TOP VIEW



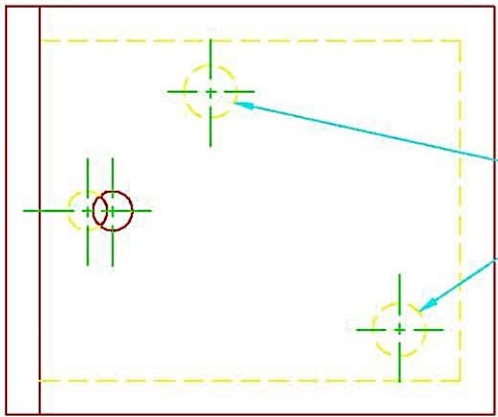
500 GALLON
OR THREE COMPARTMENT
CHLORINE CONTACT TANK
OR GREASE INTERCEPTOR

SIDE VIEW



CONCRETE BAFFLE
WALLS (1 OR 2)

END VIEW



BAFFLE TEES USED
IN GREASE INTERCEPTOR
APPLICATION ONLY

BAFFLE WALL
PENETRATIONS
FOR CHLORINE
CONTACT APPLICATIONS

500 GALLON ONE PIECE CHLORINE
CONTACT OR GREASE INTERCEPTOR

DRAWN: WRR

DATE:

SCALE: 1/2" = 1'-0"

DWG NO.: