

# Liberty Pumps®

## 2400-Series

### Simplex Grinder Package

#### Factory Assembled 2 hp Grinder Pump 24" Diameter System

##### Features:

- Pre-mounted floats for pump control and alarm
- 4" Fiberglass hub with 4" rubber pipe seal
  - 1-1/4" Discharge
- Factory pre-assembled guide rail system
  - Integral check valve
  - Galvanized guide rail pipe (stainless optional)
- Factory pre-assembled schedule 80 PVC discharge piping with ball valve
- Fiberglass basin with anti-flotation collar
- Structural foam cover - 1000 lb. load rating (steel optional)
  - All stainless steel supports and brackets pre-mounted
- NEMA 4X junction box for electrical connections, pre-mounted
- Stainless steel chain for pump lift-out
- Shipped standard with SX-Series control Panel. IP-Series Panel optional



4" inlet hub  
with seal



##### Available Heights

48"  
60"  
72"  
84"



Available with  
LSG or LSGX-Series  
(2-Stage) Grinders



innovate. evolve.

# 2400-Series Specifications

## Features:

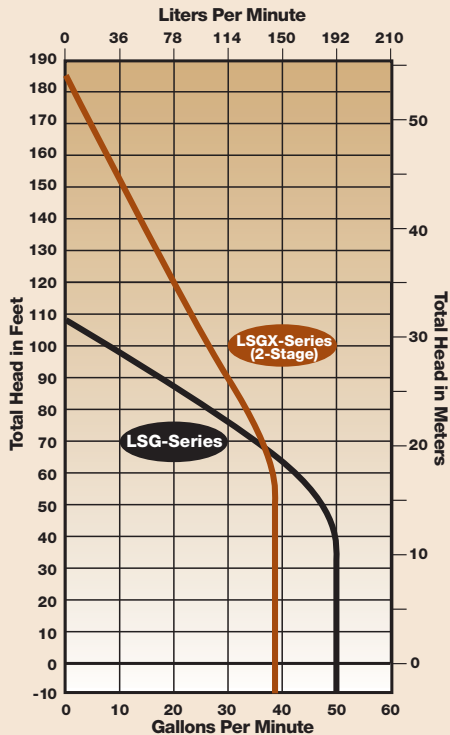
2 hp. Grinder Pump  
Choose from single stage LSG or two stage LSGX-Series pumps



- Available in a wide range of voltages
- 1-1/4" discharge
- 25' power cable length

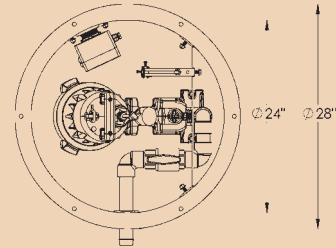
(See LSG or LSGX-Series literature for complete pump specifications.)

## Performance Curves:

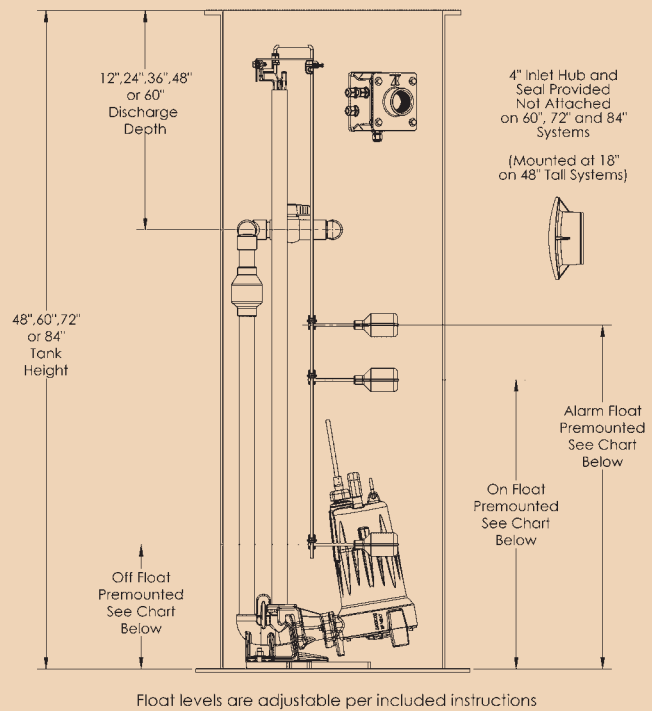


## Dimensional Data

### Top View



### Side View



Galvanized guide rails standard. For stainless steel rails add "S" to model number.  
Example: 2472LSG24-S

For steel cover option add "-SC" suffix to model number.  
Example: (steel) 2472LSG24-SC

## Factory set control levels 2400-Series

Model	Off level	On Level	Alarm Level	Volume per Pump Cycle	Total Basin Capacity
2448	9.5" (42 cm)	16.5" (41.9 cm)	21" (79 cm)	13.5 gal. (51 liters)	94 gal. (356 liters)
2460	13" (33 cm)	27" (69 cm)	33" (86 cm)	31 gal. (117 liters)	118 gal. (447 liters)
2472	13" (33 cm)	31" (79 cm)	37" (94 cm)	39 gal. (148 liters)	141 gal. (534 liters)
2484	13" (33 cm)	33" (84 cm)	37" (102 cm)	43 gal. (163 liters)	165 gal. (625 liters)

Specifications are subject to change without notice.



inno

# Choice of Panel... SX-Series or IP-Series



**SXH24=3**  
Control  
Panel with  
Alarm  
Included

## **SX-Series Panels - (Standard)**

Provide reliable alternating operation with standard features that include:

- HOA Switch
- NEMA 4X enclosure
- Circuit Breaker
- Visual and Audible alarm
- Pump run indicator light
- Auxiliary contacts
- Three level control floats

For the complete SX-Series specifications, See SX-Series literature sheet.



## **IP-Series™ Panels - (Optional)**

IP control panels incorporate the latest programmable pump features through a simple, easy-to-use touch pad on the inner door. Now pump programming and system monitoring is easier than ever.

### **Features:**

- NEMA 4X weatherproof enclosure for indoor/outdoor mounting
- Float-less level sensor is compact and eliminates multiple wide-angle floats for controlling pump
- Redundant "ALARM" float included for added security
- Inner panel door provides increased safety
- Easy-to-use touch pad for programming pump on/off levels and alarm level in inches or centimeters
- Separate control and alarm fuses
- Digital display board for system monitoring
- Alarm beacon and horn provide audio/visual warning of alarm condition
- Test/Normal/Silence switch
- Auxiliary contacts
- Panel is field convertible for either demand dose or timed dose applications

For the complete IP-Series specifications, See IP-Series literature sheet.



**Float-Less  
Level Sensor**

**NOTE:** To order the IP-Series panel option, add "-IP" suffix to the system model number. Example: 2472LSG24-IP

# 2400- Series Simplex Models

24" diameter fiberglass basin available in heights of 48", 60", 72" and 84".

Available with standard SX-Series control panel or upgrade to the new IP-Series Intelligent Panel.

Systems listed to the right are shipped with a standard SX-Series control panel. To upgrade to an IP-Series panel add "-IP" suffix to the above model number. See SX-Series or IP-Series literature for complete specifications.

Models	Volts	Phase	Wgt.	Standard Panel SX-Series	(Optional) Panel IP-Series
<b>2448 – 24" x 48" basin</b> (Discharge depth is 12" from top of basin)					
2448LSG202	208/230	1	220 lbs.	ALM-2W	NA
2448LSG202-S	208/230	1	220 lbs.	ALM-2W	NA
2448LSG202-S-SC	208/230	1	230 lbs.	ALM-2W	NA
2448LSG202-SC	208/230	1	226 lbs.	ALM-2W	NA
2448LSGX202	208-230	1	229 lbs.	ALM-2W	NA
2448LSGX202-S	208-230	1	229 lbs.	ALM=2W	NA
2448LSGX202-S-SC	208-230	1	239 lbs.	ALM-2W	NA
2448LSGX202-SC	208-230	1	239 lbs.	ALM-2W	NA
<b>2460 – 24" x 60" basin</b> (Discharge depth is available in 24" or 36" from top of basin. Add -24 or -36 to model when ordering)					
2460LSG202 (-24 or -36 )	208/230	1	230 lbs.	SXH24=3	IPS-24H
2460LSG202-A (-24 or -36 )	208/230	1	231 lbs.	ALM-2W	NA
2460LSG202-C (-24, or -36)	208/230	1	231 lbs.	SXHC24=3	IPS-24HC
2460LSG203 (-24 or -36)	208/230	3	235 lbs.	SX34=3-511	IPS-34-511
2460LSG204 (-24 or -36)	440-480	3	235 lbs.	SX34=3-171	IPS-34-171
2460LSG205 (-24 or -36)	575	3	235 lbs.	SX54=3-161	IPS-54-161
2460LSGX202 (-24 or -36)	208-230	1	236 lbs.	SXH24=3	IPS-24H
2460LSGX202-C (-24 or -36)	208-230	1	237 lbs.	SXHC24=3	IPS-24HC
2460LSGX203 (-24 or -36)	208/230	3	242 lbs.	SX34=3-511	IPS-34-511
2460LSGX204 (-24 or -36)	440-480	3	242 lbs.	SX34=3-171	IPS-34-171
2460LSGX205 (-24 or -36)	575	3	242 lbs.	SX54=3-161	IPS-54-161
<b>2472 – 24" x 72" basin</b> (Discharge depth is available in 24", 36" or 48" from top of basin. Add -24, -36 or -48 to model when ordering)					
2472LSG202 (-24, -36 or -48 )	208/230	1	237 lbs.	SXH24=3	IPS-24H
2472LSG202-C (-24, -36 or -48)	208/230	1	238 lbs.	SXHC24=3	IPS-24HC
2472LSG203 (-24, -36 or -48)	208/230	3	242 lbs.	SX34=3-511	IPS-34-511
2472LSG204 (-24, -36 or -48)	440-480	3	242 lbs.	SX34=3-171	IPS-34-171
2472LSG205 (-24, -36 or -48)	575	3	242 lbs.	SX54=3-161	IPS-54-161
2472LSGX202 (-24, -36 or -48)	208-230	1	243 lbs.	SXH24=3	IPS-24H
2472LSGX202-C (-24, -36 or -48)	208-230	1	244 lbs.	SXHC24=3	IPS-24HC
2472LSGX203 (-24, -36 or -48)	208/230	3	249 lbs.	SX34=3-511	IPS-34-511
2472LSGX204 (-24, -36 or -48)	440-480	3	249 lbs.	SX34=3-171	IPS-34-171
2472LSGX205 (-24, -36 or -48)	575	3	249 lbs.	SX54=3-161	IPS-54-161
<b>2484 – 24" x 84" basin</b> (Discharge depth is available in 24", 36", 48" or 60" from top of basin. Add -24, -36, -48 or -60 to model when ordering)					
2484LSG202 (-24, -36, -48 or -60)	208/230	1	258 lbs.	SXH24=3	IPS-24H
2484LSG202-C (-24, -36, -48 or -60)	208/230	1	265 lbs.	SXHC24=3	IPS-24HC
2484LSG203 (-24, -36, -48 or -60)	208/230	3	269 lbs.	SX34=3-511	IPS-34-511
2484LSG204 (-24, -36, -48 or -60)	440-480	3	269 lbs.	SX34=3-171	IPS-34-171
2484LSG205 (-24, -36, -48 or -60)	575	3	269 lbs.	SX54=3-161	IPS-54-161
2484LSGX202 (-24, -36, -48 or -60)	208-230	1	264 lbs.	SXH24=3	IPS-24H
2484LSGX202-C (-24, -36, -48 or -60)	208-230	1	265 lbs.	SXHC24=3	IPS-24HC
2484LSGX203 (-24, -36, -48 or -60)	208/230	3	270 lbs.	SX34=3-511	IPS-34-511
2484LSGX204 (-24, -36, -48 or -60)	440-480	3	270 lbs.	SX34=3-171	IPS-34-171
2484LSGX205 (-24, -36, -48 or -60)	575	3	270 lbs.	SX54=3-161	IPS-54-161